



Portland State U

F, 05/01/2020

S'20 CS 410/510

**Intro to
quantum computing**

Fang Song

Week 5

- **Modular arithmetic**
- **Order finding**
- **Prime factorization**

Credit: based on slides by Richard Cleve

Exercise

1. Compute the product of the numbers below

- Example. $3 \times 5 = 15$
- $19 \times 31 =$
- $244176193 \times 176944583 =$

2. Find the prime factorization of the numbers below.

- Example. $15 = 3 \times 5$
- $21 =$
- $247 =$
- $205027 =$
- $55514685797288803 =$

3. How many bits do we need to write an integer $x \in \mathbb{Z}$ in binary?

A round of applause



- **Exponential** quantum speedup
 - Nice, but **query**-model, “artificial” problems ...

Black-box problem	Deterministic	Randomized	Quantum
Deutsch	2 (queries)	2 (queries)	1 (query)
Deutsch-Josza	$2^{n-1} + 1$	$\Omega(n)$	1 (Exact)
Simon	$2^{n-1} + 1$	$\Omega(\sqrt{2^n})$	$O(n)$

- **Today**: quantum (exponential) speedup on a “real-life” hard problem

Integer factorization

Input. Positive integer $N (= pq, p, q \text{ prime})$

Goal. Find p, q

▪ Classical efficient algorithm **NOT** known

- Number field sieve $\sim 2^{O((\log N)^{\frac{1}{3}} (\log \log N)^{\frac{2}{3}})}$

Efficient = **poly-time** in input size
Ex. N has n bits. Runtime $O(n^5)$

▪ Efficient **quantum** algorithm $O((\log N)^3)$ [Shor94, Kitaev94]

- Generalization of Simon's algorithm

An inconvenient consequence in cybersecurity

- **RSA** cryptosystem relies on hardness of factorization
 - Foundation of modern cryptography and Internet security



Will be **broken** by a quantum computer

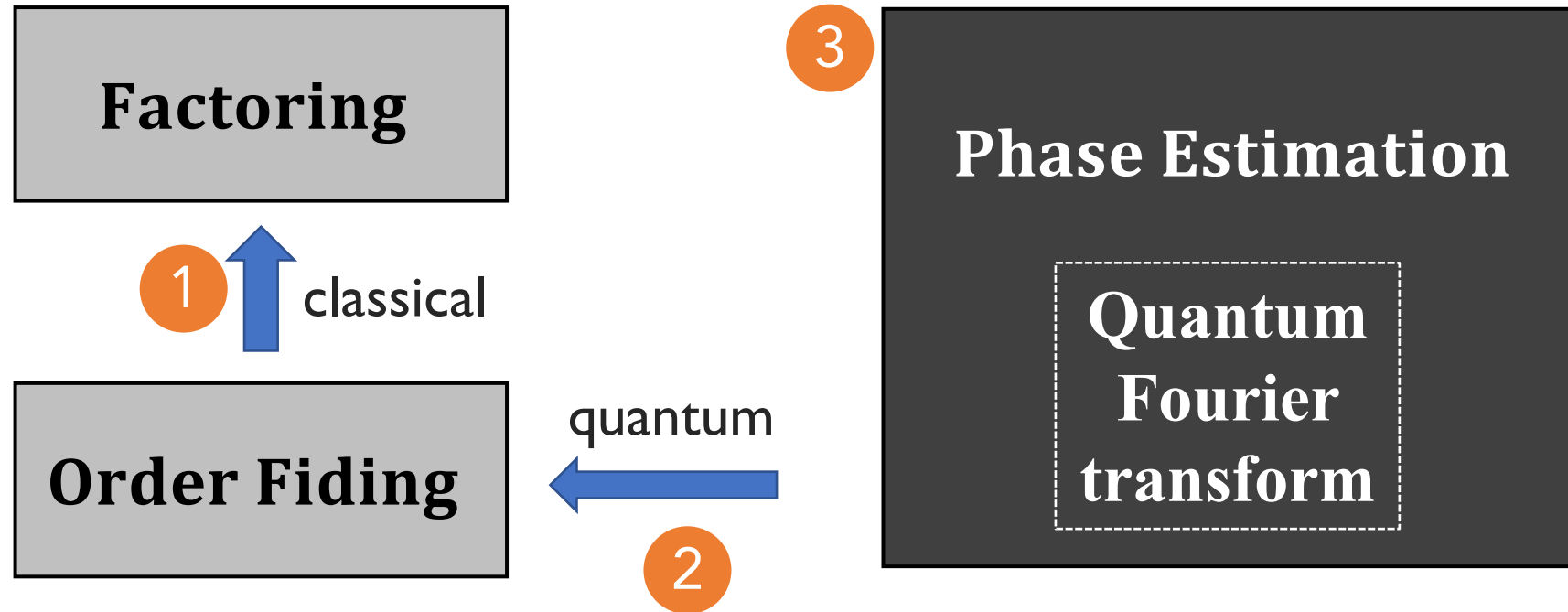
- **RSA Factoring Challenge**



Feb 28, 2020: RSA-250 (250 decimal digits = **829** bits) factored!
Total computation time ~ **2700** core-years (Intel Xeon Gold 6130)

RSA-250 = 6413528947707158027879019017057738908482501474294344720811685963202453234463
0238623598752668347708737661925585694639798853367 ×
3337202759497815655622601060535511422794076034476755466678452098702384172921
0037080257448673296881877565718986258036932062711

Roadmap to quantum factorization algorithm



- Today: 1 & 2 (treating PE as black-box)
- Next time: 3 open up PE and QFT

Review: arithmetic/number theory

Modular arithmetic

$$a, b, N \in \mathbb{Z}, N \geq 1$$

- $a \equiv b \pmod{N} \Leftrightarrow N \mid (a - b)$
- $\gcd(a, b) = \max \{c: c \mid a \text{ and } c \mid b\}$
 - a, b **coprime**, if $\gcd(a, b) = 1$
- $\mathbb{Z}_N := \{0, 1, \dots, N - 1\}$
- $\mathbb{Z}_N^* := \{a \in \mathbb{Z}_N: \gcd(a, N) = 1\}$
 - Euler φ function $\varphi(N) := |\mathbb{Z}_N^*|$
- **Fact.** $\forall a \in \mathbb{Z}_N^*, \exists!$ (**unique**) $b \in \mathbb{Z}_N^*$ s. t. $ab \equiv 1 \pmod{N}$
 - Call b the inverse of a , and write it $a^{-1} \pmod{N}$
 - \mathbb{Z}_N^* under multiplication mod N form a **group**.

Order

$$\mathbb{Z}_N^* := \{a \in \mathbb{Z}_N : \gcd(a, N) = 1\}, \varphi(N) = |\mathbb{Z}_N^*|$$

- Def (order mod N). Given $a \in \mathbb{Z}_N^*$, $\text{ord}_N(a) := \min\{r : a^r \equiv 1 \pmod{N}\}$
- Fact (Euler's Theorem). $\forall a \in \mathbb{Z}_N^*, a^{\varphi(N)} \equiv 1 \pmod{N}$
 - $\text{ord}_N(a)$ is well-defined
 - $\text{ord}_N(a) \mid \varphi(N)$

Exercises

- Show that $\text{ord}_N(a) \mid \varphi(N)$ always holds.
- Let $a = 4, N = 35$
 - $\mathbb{Z}_{35}^* =$
 - $\text{ord}_{35}(4) =$

Order finding

Order finding

Input. Positive integer $N \geq 2, a \in \mathbb{Z}_N^*$

Goal. Compute $\text{ord}_N(a)$

- Theorem. Factorization \equiv Order finding
 - We can solve one efficiently **iff.** we can solve the other efficiently.
→ Best classical algorithm takes exponential time
- Theorem. \exists poly-time **quantum** algorithm for order finding (hence factorization too)



Reducing factoring to order finding

Input. $N(= pq)$

Goal. Find p, q

Factoring

a

Order Finding

$ord_N(a)$

- Idea: Pick random $a \in \mathbb{Z}_N^*$, compute $r = ord_N(a)$

$$a^r \equiv 1 \pmod{N} \Leftrightarrow N \mid a^r - 1$$

- If r happens to be **even**, $a^r - 1 = (a^{\frac{r}{2}} + 1)(a^{\frac{r}{2}} - 1)$

$$N \mid (a^{\frac{r}{2}} + 1)(a^{\frac{r}{2}} - 1)$$

- can $N \mid (a^{\frac{r}{2}} - 1)$?
- What if $N \nmid (a^{\frac{r}{2}} + 1)$?

Reducing factoring to order finding cont'd

Input: an odd, composite integer N that is not a prime power.

Repeat

Randomly choose $a \in \{2, \dots, N-1\}$.

Compute $d = \gcd(a, N)$.

If $d \geq 2$ then /* We've been incredibly lucky. */

Return $u = d$ and $v = N/d$.

Else /* Now we know $a \in \mathbb{Z}_N^*$. */

Let r be the order of a in \mathbb{Z}_N^* . /* Requires the order finding algorithm. */

If r is even then

Compute $x = a^{r/2} - 1 \pmod{N}$.

Compute $d = \gcd(x, N)$.

If $d \geq 2$ then

Return $u = d$ and $v = N/d$. /* Answer is found. */

Until answer is found (or you get tired).

Bad a

- $\text{ord}_N(a)$ is odd

- $N \mid (a^{\frac{r}{2}} + 1)$

Fact. $\Pr_{a \leftarrow \mathbb{Z}_N^*} [a \text{ BAD}] \leq \frac{1}{2}$

→ Succeed in k iterations with prob. $\geq 1 - \frac{1}{2^k}$.

▪ Runtime = $O(k \cdot \text{Order-finding})$

Exercise

Let $\omega_r := e^{2\pi i \frac{1}{r}}$ be the r^{th} root of unity

1. Show that $\omega_r^r = 1$.

2. Show that $\sum_{j=0}^{r-1} \omega_r^j = 0$.

Phase estimation

Meaning of “phase”

■ Phase transition

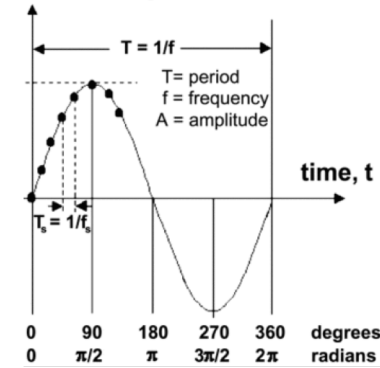
- Solid \rightarrow liquid \rightarrow gas , plasma
- https://en.wikipedia.org/wiki/Phase_transition

■ Phase in periodic function (waves)

- Location with a single wave length
- [https://en.wikipedia.org/wiki/Phase_\(waves\)](https://en.wikipedia.org/wiki/Phase_(waves))

■ Phase factor $e^{i\theta}$

- Global phase: $e^{i\theta} |\psi\rangle$ vs. $|\psi\rangle$ same statistics under measurements
- Relative phase: $|0\rangle + e^{i\theta} |1\rangle$
 - $|0\rangle + |1\rangle$ vs. $|0\rangle - |1\rangle$: Measurement statistics differ



Phase estimation (a.k.a. eigenvalue est.)

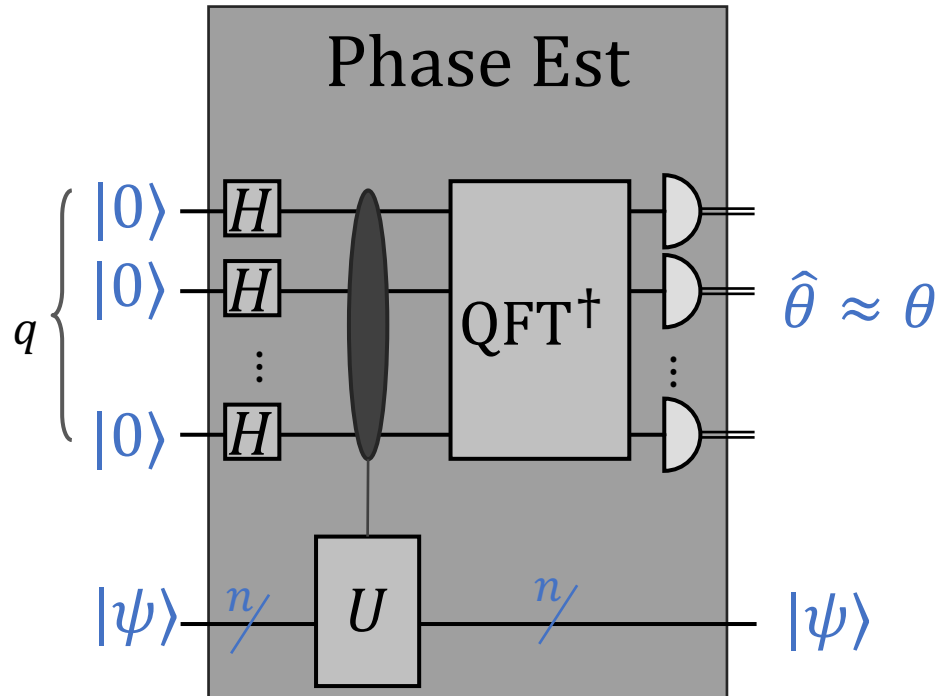
Input:

- Unitary operation U (described by a quantum circuit).
- A quantum state $|\psi\rangle$ that is an eigenvector of U : $U|\psi\rangle = e^{2\pi i\theta}|\psi\rangle$.

Output: An approximation to $\theta \in [0, 1)$.

- Fact (HW4): Unitary U on n qubits has a complete set of **orthonormal eigenvectors** $\{|\psi_1\rangle, |\psi_2\rangle, \dots, |\psi_N\rangle\}$, $N = 2^n$
 - $\langle\psi_j|\psi_k\rangle = \begin{cases} 1, & j = k \\ 0, & j \neq k \end{cases}$
 - $U|\psi_j\rangle = e^{2\pi i\theta}|\psi_j\rangle$

Kitaev's quantum phase estimation algorithm



- Theorem. PE produces $\hat{\theta}$ with
 - precision $|\hat{\theta} - \theta| \leq \delta$ and
 - failure probability $\leq \varepsilon$whenever $t = \Omega(\log \frac{1}{\delta \cdot \varepsilon})$.
- Proof (Next time)

- Theorem. PE produces $\hat{\theta}$ with

Solving order finding by phase estimation

Reducing order finding to phase estimation

Given $a \in \mathbb{Z}_N^*$, find $r := \text{ord}_N(a)$.

[$n \sim \log N$: # bits to encode elements of \mathbb{Z}_N^*]

▪ Wishful thinking:

- A unitary operation U easy to implement
- An eigenvector $|\psi\rangle$ whose eigenvalue reveals r . (Ex. $U |\psi\rangle = e^{2\pi i \theta} |\psi\rangle, \theta = 1/r$)
- Plug into Phase Estimation and done!

A proper unitary and eigenvector for order finding

Given $a \in \mathbb{Z}_N^*$, find $r := \text{ord}_N(a)$.

[$n \sim \log N$: # bits to encode elements of \mathbb{Z}_N^*]

▪ Unitary $M_a: |x\rangle \mapsto |ax \bmod N\rangle$

$$\omega_r := e^{2\pi i \frac{1}{r}} \text{ (} r^{\text{th}} \text{ root of unity)}$$

$$\omega_r^r := e^{2\pi i} = 1$$

▪ Eigenvector: $|\psi\rangle := \frac{1}{\sqrt{r}} (|1\rangle + \omega_r^{-1}|a\rangle + \omega_r^{-2}|a^2\rangle + \dots + \omega_r^{-(r-1)}|a^{r-1}\rangle)$

▪ What is missing?

Live with a set of eigenvectors

- Unitary $M_a: |x\rangle \mapsto |ax \bmod N\rangle$ $\omega_r := e^{2\pi i \frac{1}{r}}$
- Eigenvector: $|\psi\rangle := \frac{1}{\sqrt{r}} (|1\rangle + \omega_r^{-1}|a\rangle + \omega_r^{-2}|a^2\rangle + \dots + \omega_r^{-(r-1)}|a^{r-1}\rangle)$

$$|\psi_0\rangle = 1/\sqrt{r}(|1\rangle + |a\rangle + |a^2\rangle + \dots + |a^{r-1}\rangle)$$

$$|\psi_1\rangle = 1/\sqrt{r}(|1\rangle + \omega_r^{-1}|a\rangle + \omega_r^{-2}|a^2\rangle + \dots + \omega_r^{-(r-1)}|a^{r-1}\rangle) = |\psi\rangle$$

⋮

$$|\psi_j\rangle = \frac{1}{\sqrt{r}} (|1\rangle + \omega_r^{-j}|a\rangle + \omega_r^{-2j}|a^2\rangle + \dots + \omega_r^{-(r-1)j}|a^{r-1}\rangle)$$

⋮

$$|\psi_{r-1}\rangle = 1/\sqrt{r} (|1\rangle + \omega_r^{-(r-1)}|a\rangle + \omega_r^{-2(r-1)}|a^2\rangle + \dots + \omega_r^{-(r-1)(r-1)}|a^{r-1}\rangle)$$

Live with a set of eigenvectors cont'd

- Unitary $M_a: |x\rangle \mapsto |ax \bmod N\rangle$
- Eigenvector: $|\psi\rangle := \frac{1}{\sqrt{r}} (|1\rangle + \omega_r^{-1}|a\rangle + \omega_r^{-2}|a^2\rangle + \dots + \omega_r^{-(r-1)}|a^{r-1}\rangle)$

$$\omega_r := e^{2\pi i \frac{1}{r}}$$

$$|\psi_0\rangle = \frac{1}{\sqrt{r}} (|1\rangle + |a\rangle + |a^2\rangle + \dots + |a^{r-1}\rangle)$$

$$M_a|\psi_0\rangle =$$

Live with a set of eigenvectors cont'd

- Unitary $M_a: |x\rangle \mapsto |ax \bmod N\rangle$
- Eigenvector: $|\psi\rangle := \frac{1}{\sqrt{r}} (|1\rangle + \omega_r^{-1}|a\rangle + \omega_r^{-2}|a^2\rangle + \dots + \omega_r^{-(r-1)}|a^{r-1}\rangle)$

$$\omega_r := e^{2\pi i \frac{1}{r}}$$

$$|\psi_j\rangle = \frac{1}{\sqrt{r}} (|1\rangle + \omega_r^{-j}|a\rangle + \omega_r^{-2j}|a^2\rangle + \dots + \omega_r^{-(r-1)j}|a^{r-1}\rangle)$$

$$M_a |\psi_j\rangle =$$

Live with a set of eigenvectors cont'd

- Unitary $M_a: |x\rangle \mapsto |ax \bmod N\rangle$
- Eigenvector: $|\psi\rangle := \frac{1}{\sqrt{r}} (|1\rangle + \omega_r^{-1}|a\rangle + \omega_r^{-2}|a^2\rangle + \dots + \omega_r^{-(r-1)}|a^{r-1}\rangle)$

$$\omega_r := e^{2\pi i \frac{1}{r}}$$

$$\begin{aligned}
 |\psi_0\rangle &= 1/\sqrt{r} (|1\rangle + |a\rangle + |a^2\rangle + \dots + |a^{r-1}\rangle) \\
 |\psi_j\rangle &= 1/\sqrt{r} (|1\rangle + \omega_r^{-j}|a\rangle + \omega_r^{-2j}|a^2\rangle + \dots + \omega_r^{-(r-1)j}|a^{r-1}\rangle) \\
 &\vdots \\
 |\psi_{r-1}\rangle &= 1/\sqrt{r} (|1\rangle + \omega_r^{-(r-1)}|a\rangle + \omega_r^{-2(r-1)}|a^2\rangle + \dots + \omega_r^{-(r-1)(r-1)}|a^{r-1}\rangle)
 \end{aligned}$$

$$\sum_{j=0}^{r-1} |\psi_j\rangle =$$

Quantum order finding algorithm

$$|1\rangle = \frac{1}{\sqrt{r}} \sum_j |\psi_j\rangle, M_a |\psi_j\rangle = e^{2\pi i \frac{j}{r}}$$

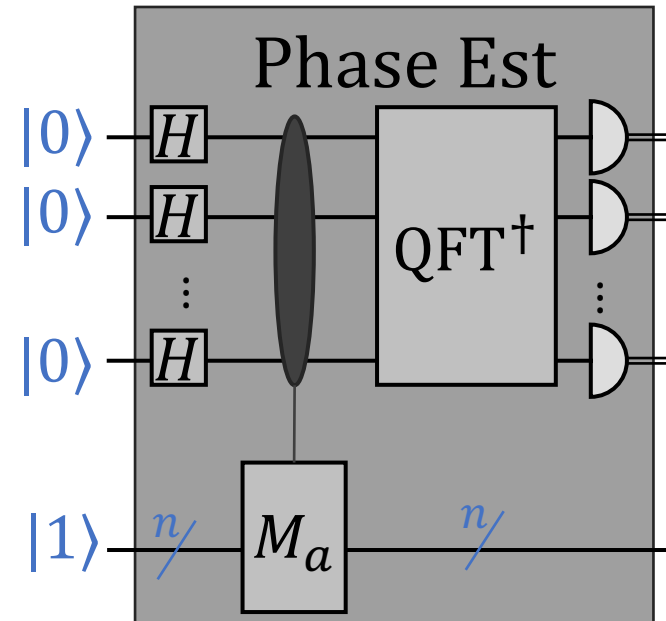
- Observation: $|\psi_j\rangle$ orthonormal

$$\langle \psi_j | \psi_k \rangle = \delta_{jk}$$

→ PE with input $|1\rangle$

≈ PE with $|\psi_j\rangle$ for a random j

- Post-processing to recover r



$\approx j/r$
for a random j

Quantum order-finding algorithm

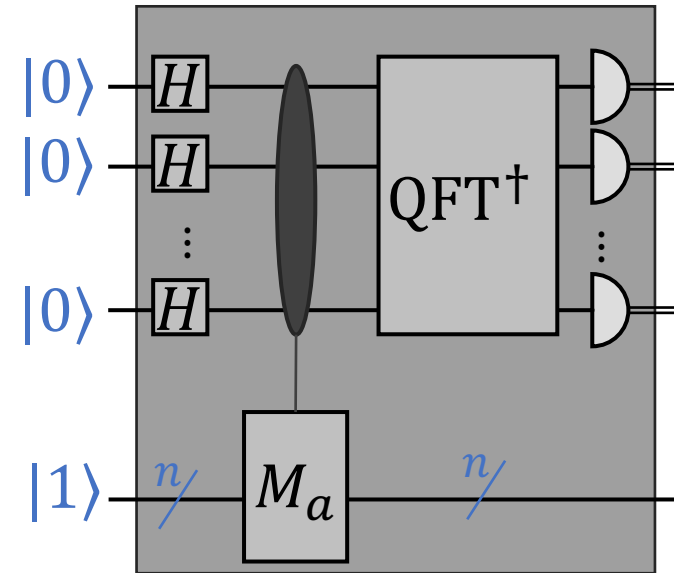
Summary



$$N | (a^{\frac{r}{2}} + 1)(a^{\frac{r}{2}} - 1)$$

■ What's next?

- Phase estimation algorithm
- Complexity of quantum order finding (implementing controlled M_a)



Quantum order-finding algorithm

Logistics

- Proposal due Sunday **May 3rd** , 11:59pm AoE
 - Submit as a group via Gradescope
 - No group? Submit a proposal and I will coordinate
 - 1-2 pages: consisting of 1) the topic, background, context, and motivation; 2) identify a few core references; and 3) a goal you intend to achieve and a plan.
- Talk by Silverman in Math department
 - Cryptography and quantum computing
 - See campuswire for details. Register by May 6
- IBM Qiskit competition

